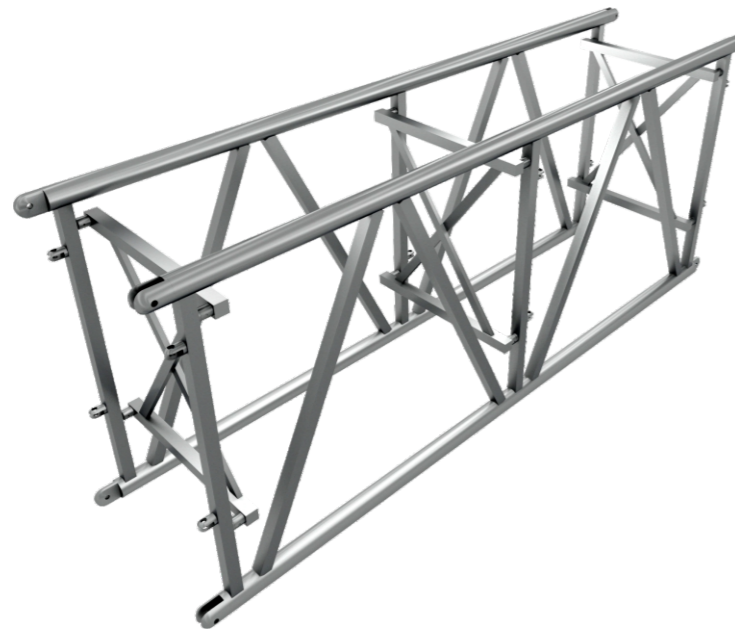
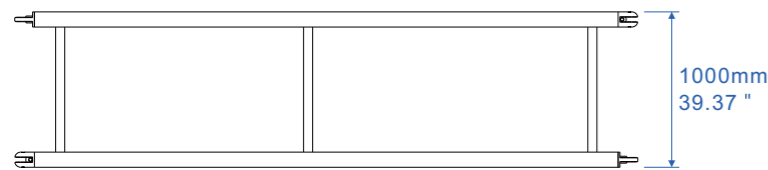


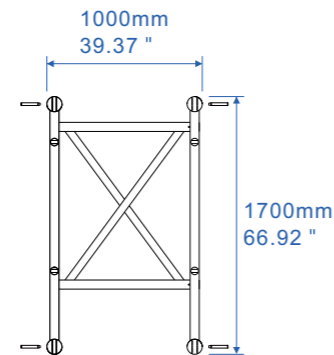
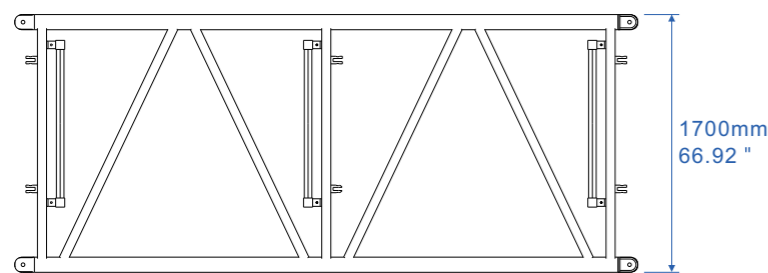
TD-F170R-100



Top view



Side view



Dimensions TD-F170R-100

Shape	Rectangular	Rectangular
Material	EN AW 6082 T6	EN AW 6082 T6
Main Tubes (chords)	100 x 8mm Cross Pipe	3.93 x 0.31 in Cross Pipe
Braces	60 x 60mm square tubing	2.36 x 2.36mm square tubing
Weight	≈ 55.0kg/m	≈ 37.01 lbs/ft

1 inch = 25.4 mm 1 m = 3.28 ft 1 lbs = 0.453kg

TD-F170R-100 ALLOWABLE LOADING

SPAN		Uniformly Distributed Load		DEFLECTION		Centre Point Load		DEFLECTION		single load third points		single load fourth points		single load fifth points		SPAN
m	ft	kg/m	lbs/ft	mm	inch	kg	lbs	mm	inch	kg	lbs	kg	lbs	kg	lbs	total weight
24	78.7	1020.0	686.5	28.2	1.110	10300	22737.3	22.5	0.886	7700	16997.8	5130	11324.5	4230	9337.7	1320
28	91.8	700.0	471.1	36.8	1.449	8800	19426.0	34.2	1.346	6000	13245.0	4050	8940.4	3320	7328.9	1540
32	105.0	506.0	340.5	46.4	1.827	7230	15960.3	42.0	1.654	5340	11788.1	3560	7858.7	2980	6578.4	1760
36	118.1	315.0	212.0	57.1	2.248	5500	12141.3	51.6	2.031	4120	9094.9	2760	6092.7	2280	5033.1	1980
40	131.2	235.0	158.2	69.2	2.724	3630	8013.2	67.5	2.657	3450	7615.9	2320	5121.4	1880	4150.1	2200
44	144.3	175.0	117.8	83.0	3.268	3460	7638.0	80.2	3.157	2960	6534.2	1950	4304.6	1675	3697.6	2420
48	157.4	138.0	92.9	99.2	3.906	3250	7174.4	96.5	3.799	2420	5342.2	1620	3576.2	1350	2980.1	2640
52	170.6	100.0	67.3	118.4	4.661	2720	6004.4	115.2	4.535	1980	4370.9	1350	2980.1	1180	2604.9	2860
56	183.7	75.6	50.9	144.5	5.689	2450	5408.4	135.6	5.339	1785	3940.4	1180	2604.9	1020	2251.7	3080
60	196.8	65.2	43.9	183.2	7.213	1980	4370.9	178.9	7.043	1460	3223.0	990	2185.4	810	1788.1	3300

1 inch = 25.4 mm 1 m = 3.28 ft 1 lbs = 0.453kg

- Loading figures only valid for static loads and spans with two supporting points.
- Spans must be supported at each end.
- If dynamic loads or wind loads are involved, or more supporting points are applied, contact Trinity Customer Service for details.
- Loading figures are based on BS 7905-2/ANSI E1.2-2006/CWA 15902-2, GB/T5237. The loading data should multiply 0.8 for Safety factor consideration.
- The self-weight of the trusses has already been taken into account.
- Suitable for trusses with design height of 1700mm, Main tubing Ø 100 * 8 mm, square tubing 60 * 60*5mm